

M10 FEMALE CEILING BOSS WITH SIDE EXIT HOLE

299531006406



KEY FEATURES

This high quality brass turned part is finished in satin nickel.

The female boss has a tapped M6 threaded hole at the top to enable a strong connection to the ceiling.

The internal thread is tapped M10x1mm pitch, in order to accept the male suspension clutch 2901MIS032.

The two parts can then be screwed together to create a top ceiling fix, with the ability to adjust the wire drop length.

The excess wire passes out of the assembly via a small side exit hole, where the wire can be cropped.



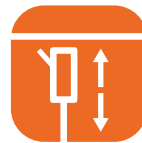
Safe working load is 18 kilos maximum



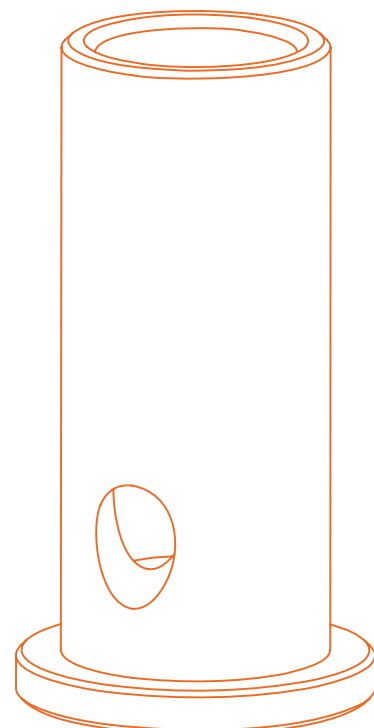
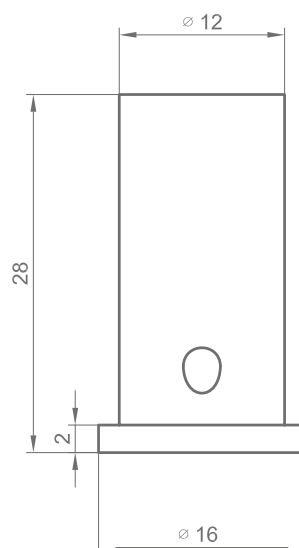
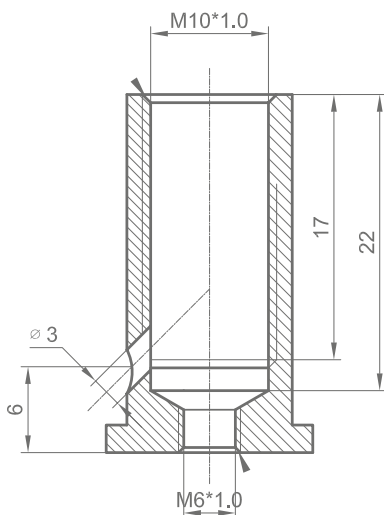
High quality brass, satin nickel finish



For use with 1.5mm galvanised wire



Ceiling level height adjustment



T: 01527 502211
F: 01527 502277

sales@in2components.com
www.in2components.com

82 Arthur Street, Lakeside, Redditch, B98 8JY