

GENERAL SLIMLINE SUSPENSION CLUTCH



29 B-307



KEY FEATURES

With discreet body dimensions of 9mm x 28mm this slimline clutch is ideal to complement LED fittings.

A vertically sawn slot at the base allows connection of a splitter wire, which is fixed with an M5 socket grubscrew.

This allows connection via the splitter wire to create two fixing points for balance.

Whilst height adjustment is simply achieved by depressing the top plunger to allow the suspension wire to pass through the clutch to a preferred level.



Safe working load is 18 kilos maximum



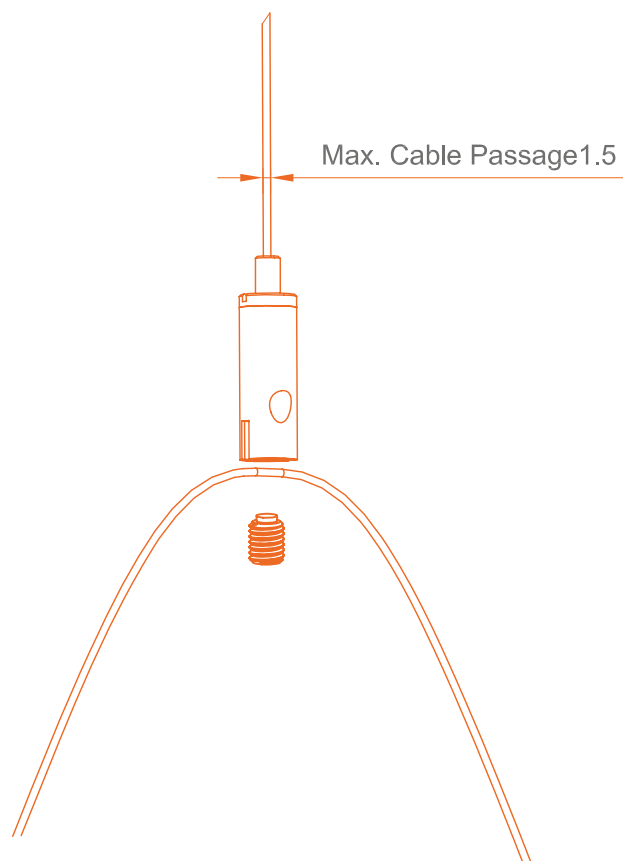
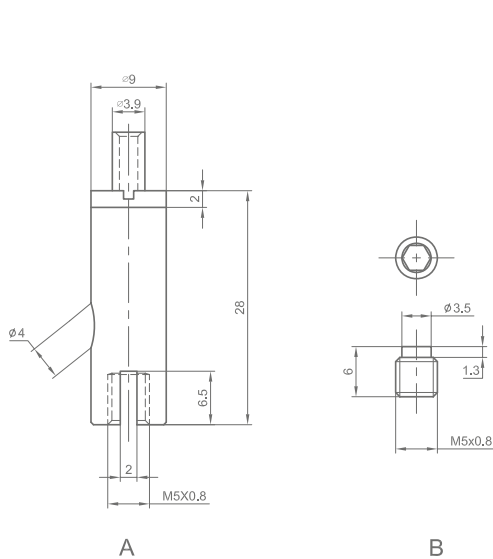
High quality brass, satin nickel finish



For use with 1.5mm galvanised wire



Suitable for splitter wires



T: 01527 502211
F: 01527 502277

sales@in2components.com
www.in2components.com

82 Arthur Street, Lakeside, Redditch, B98 8JY