

# GENERAL SLIMLINE SUSPENSION CLUTCH WITH PIGTAIL BASE

29 WG004 PIG



## KEY FEATURES

With discreet body dimensions of 9mm x 26mm this slimline clutch is ideal to complement LED fittings.

The pigtail base connection enables direct connection to a bracket or fitting through a simple hole.

Whilst height adjustment is simply achieved by depressing the top plunger to allow the suspension wire to pass through the clutch to a preferred level.



Safe working load is 18 kilos maximum



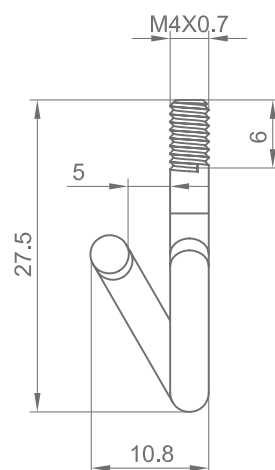
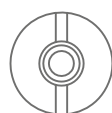
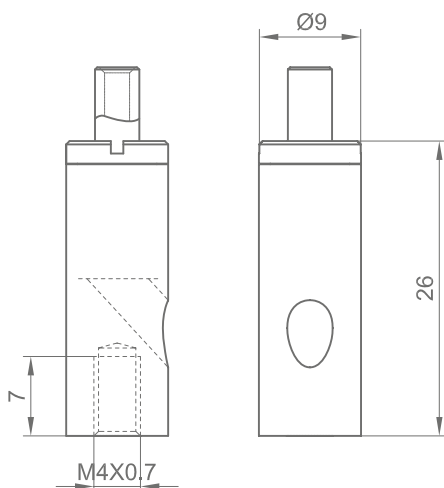
High quality brass, satin nickel finish



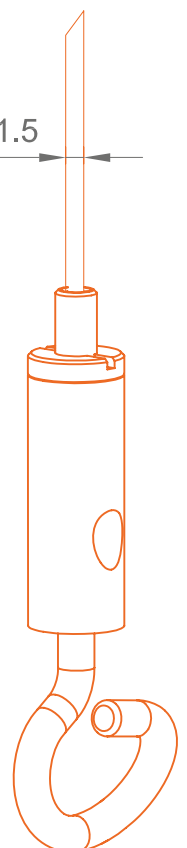
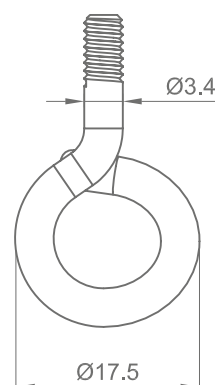
For use with 1.5mm galvanised wire



Direct attachment to a fitting



Max. Cable Passage 1.5



T: 01527 502211  
F: 01527 502277

sales@in2components.com  
www.in2components.com

82 Arthur Street, Lakeside, Redditch, B98 8JY