

GENERAL SLIMLINE SUSPENSION CLUTCH WITH M5 MALE THREAD



29B-307 MALE



KEY FEATURES

A variant of our standard slimline clutch 9mm x 28mm, this product provides a male M5x10mm thread at its base.

With chamfers to the body it can be securely held when being assembled in to a female thread or passed through a hole and secured from within the luminaire.

Typically it is employed in continuous linear suspended systems.

The suspension wire passes vertically through the clutch. Whilst height adjustment is achieved by depressing the top plunger to allow the clutch to move up and down vertically along the suspension wire.



Safe working load is 18 kilos maximum



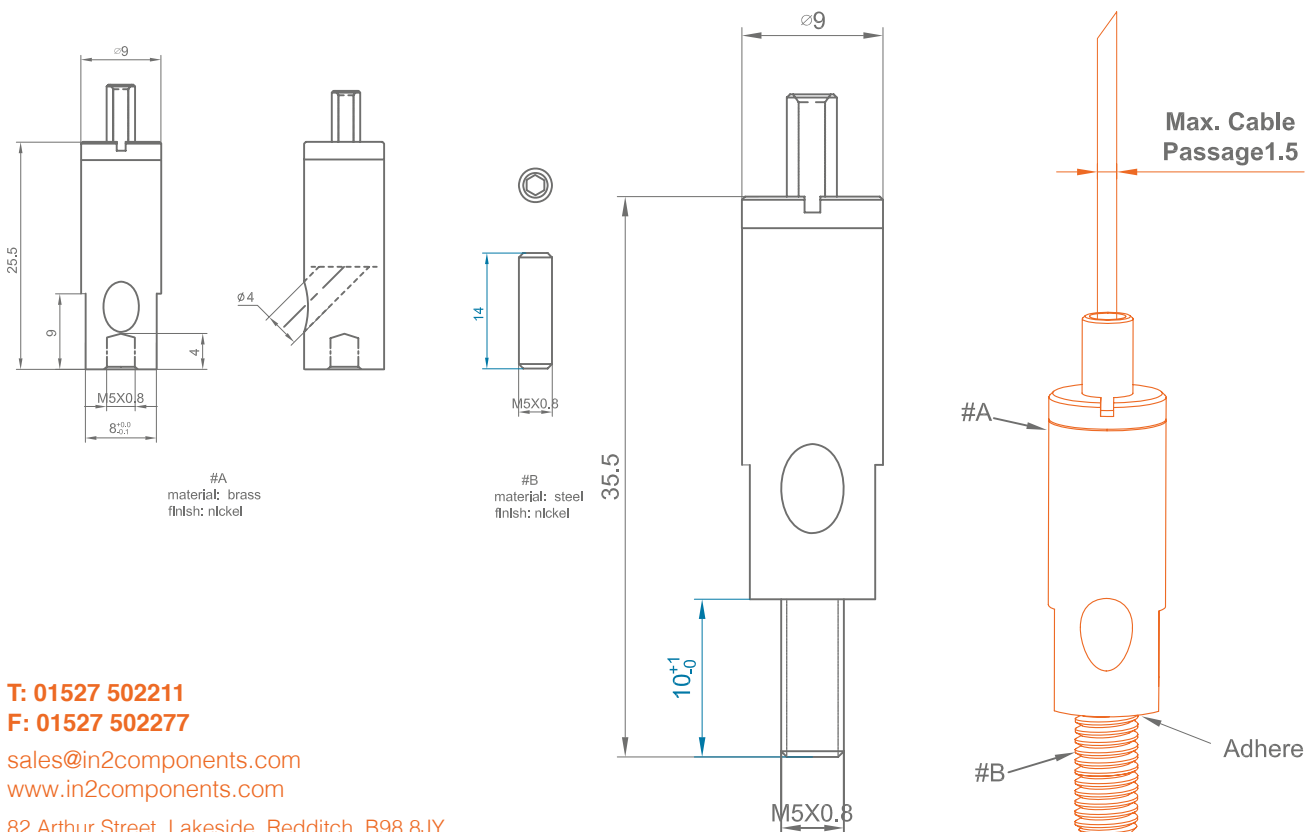
High quality brass, satin nickel finish



For use with 1.5mm galvanised wire



Direct attachment to a fitting



T: 01527 502211
F: 01527 502277

sales@in2components.com
www.in2components.com

82 Arthur Street, Lakeside, Redditch, B98 8JY