

GENERAL SLIMLINE SUSPENSION CLUTCH WITH M4 INTERNAL THREAD

29 WG004



KEY FEATURES

With discreet body dimensions of 9mm x 26mm this slimline clutch is ideal to complement LED fittings.

An M4 internal tapped thread enables direct connection to a bracket or fitting.

Whilst height adjustment is simply achieved by depressing the top plunger to allow the suspension wire to pass through the clutch to a preferred level.



Safe working load is 18 kilos maximum



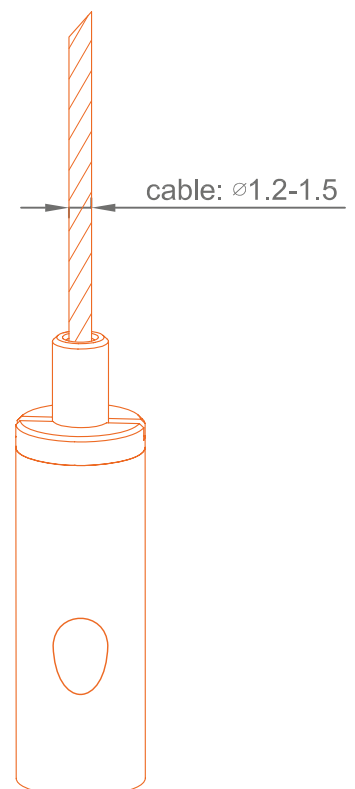
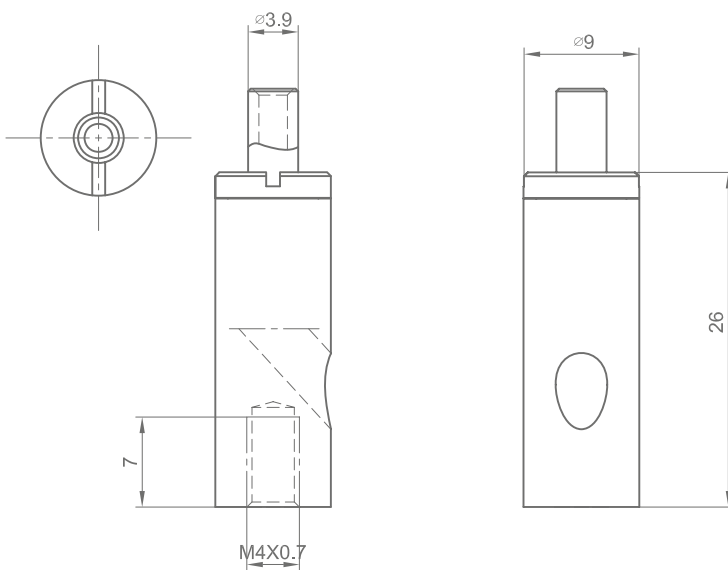
High quality brass, satin nickel finish



For use with 1.5mm galvanised wire



Direct attachment to a fitting



T: 01527 502211
F: 01527 502277

sales@in2components.com
www.in2components.com

82 Arthur Street, Lakeside, Redditch, B98 8JY