

# COMPACT M10x1mm SUSPENSION CLUTCH



2901MIS032



## KEY FEATURES

This compact clutch is ideal in applications with little space for fixing. With a body dimension of 10mm and an insertion depth of 14mm it can discreetly fit in to gear trays or thin luminaires.

The suspension wire passes vertically through the clutch allowing the wire to be contained inside the luminaire body. Whilst height adjustment is achieved by depressing the top plunger to allow the clutch to move up and down vertically along the suspension wire.

This clutch can be supplied with a suitable thin locking nut or used at the ceiling when assembled in to an M10 Female ceiling boss with side exit hole.



Safe working load is 18 kilos maximum



High quality brass, satin nickel finish



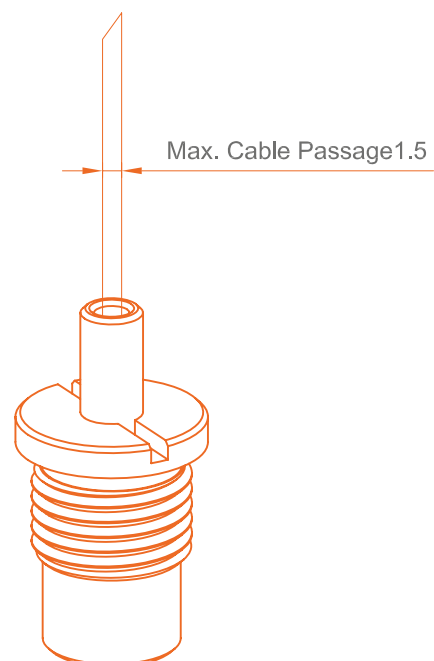
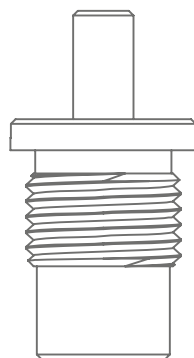
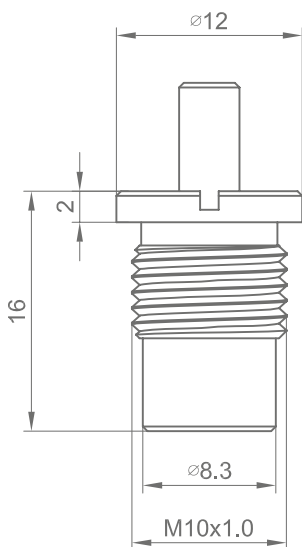
For use with 1.5mm galvanised wire



Direct attachment to the ceiling with a female ceiling boss



Direct attachment to a fitting



T: 01527 502211  
F: 01527 502277

sales@in2components.com  
www.in2components.com

82 Arthur Street, Lakeside, Redditch, B98 8JY